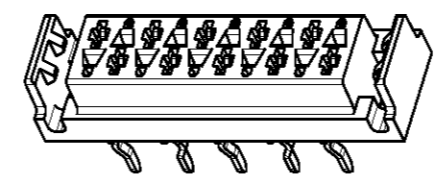
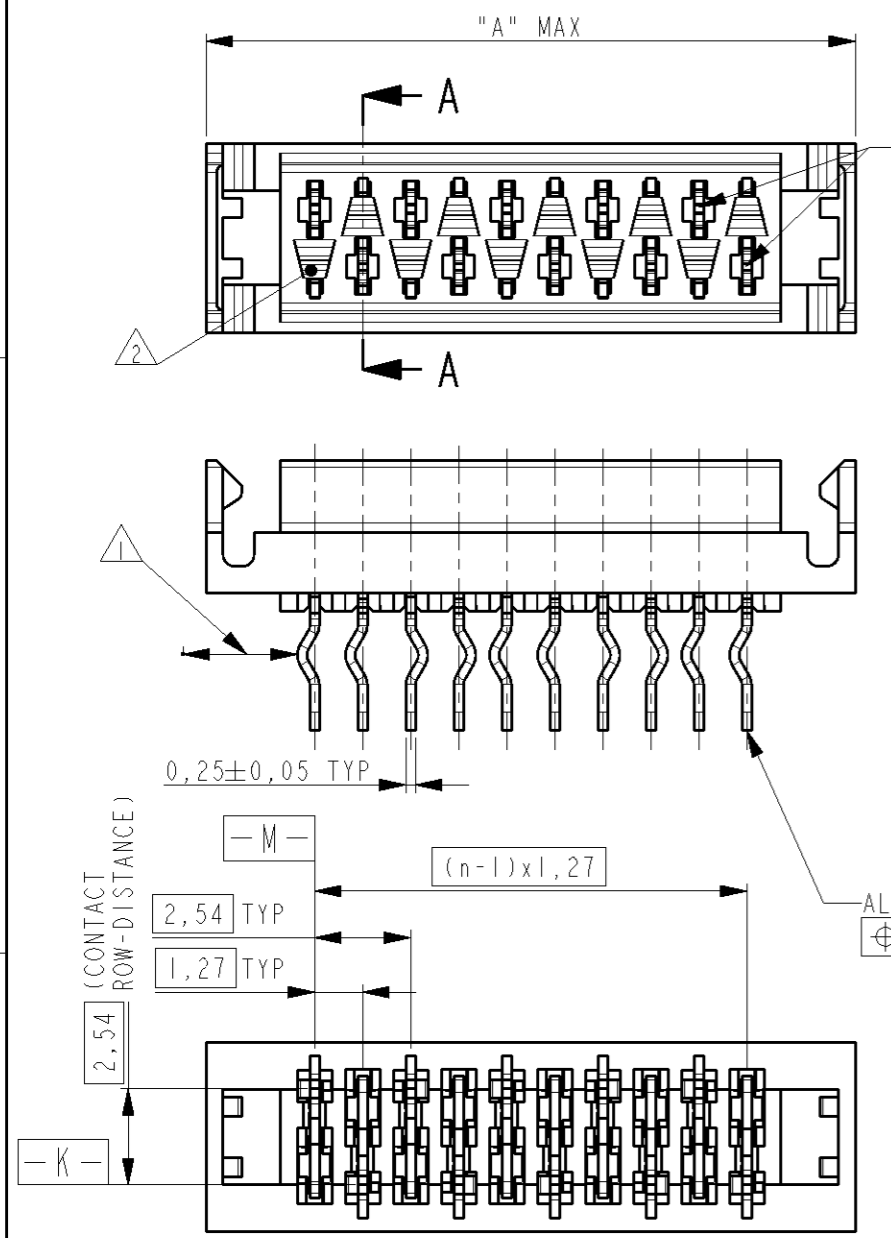
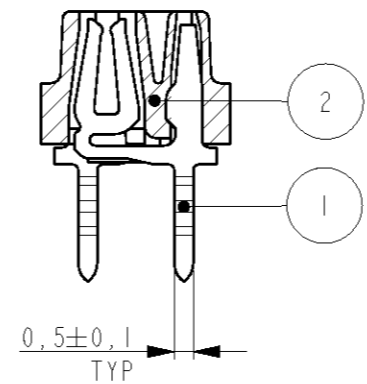
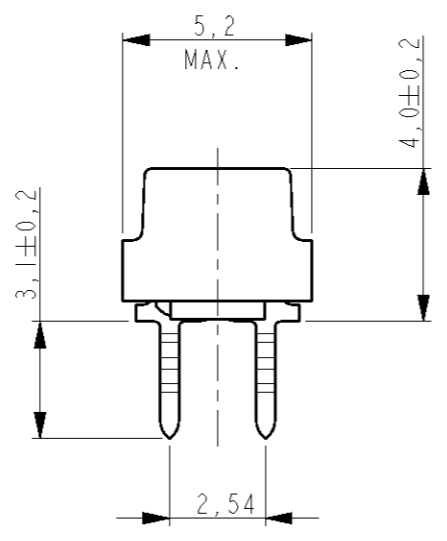


THIS DRAWING IS UNPUBLISHED. RELEASED FOR PUBLICATION
 © COPYRIGHT - BY ALL RIGHTS RESERVED.

LOC	DIST	REVISIONS					
H	-	P	LTR	DESCRIPTION	DATE	DWN	APVD
		E1		REVISED PER ECO-11-005294	28APR11	RK	HMR

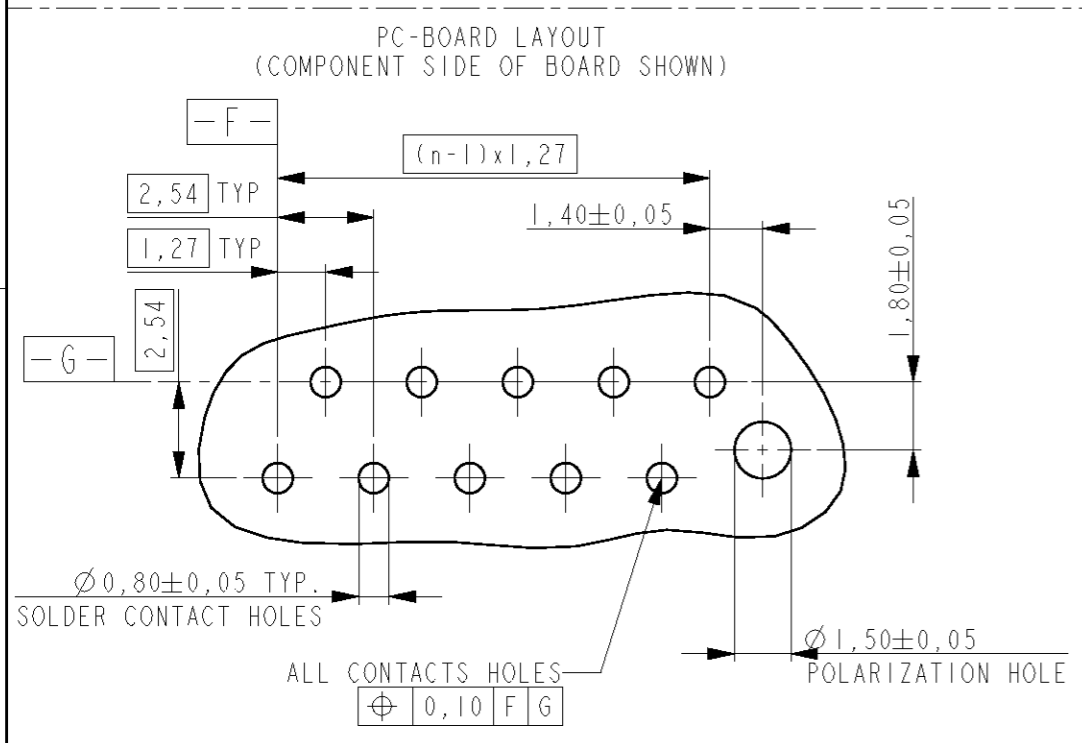


SCALE 3:1

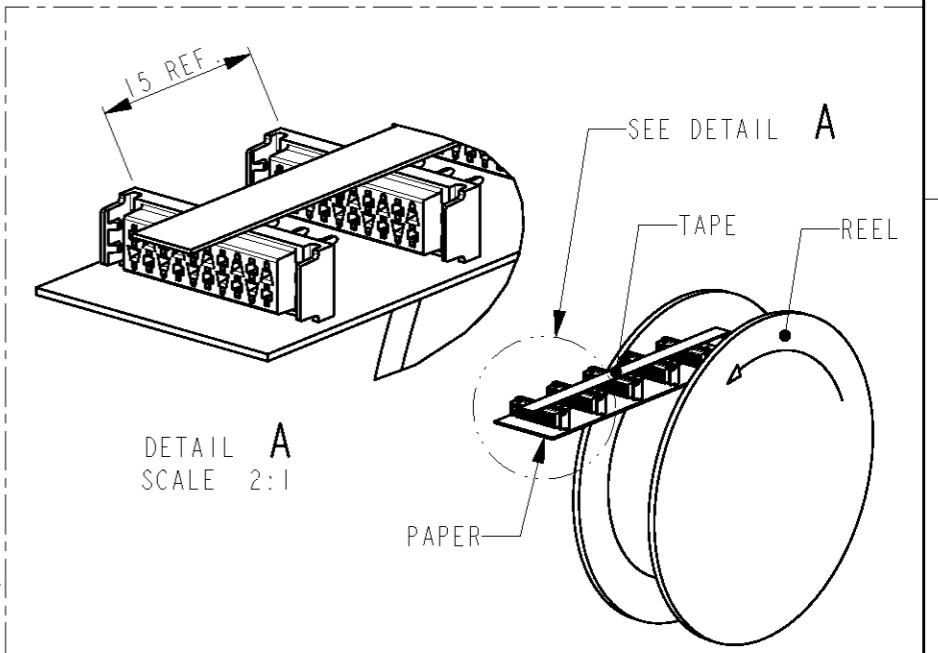


SECTION A-A

PARTNUMBER REEL PACKAGING	NR OF POS "n"	DIMENSION "A" MAX
338068-4	4	9,7
338068-6	6	12,2
338068-8	8	14,7
1-338068-0	10	17,3
1-338068-2	12	19,8
1-338068-4	14	22,4
1-338068-6	16	24,9
1-338068-8	18	27,4
2-338068-0	20	30,0



- NOTES:
- 1 IN EACH ROW, DIRECTION OF KINKS STARTS RANDOM. IN EACH ROW, SEQUENTIAL CONTACTS HAVE OPPOSITE KINK DIRECTIONS.
 - 2 CORING-OUTS FOR MANUFACTURING PURPOSE ONLY. SHAPE MAY VARY, BUT IS NOT FUNCTIONAL FOR THE APPLICATION.
 - 3 SHOWN IS A 10 POSITION CONNECTOR.



DETAIL A SCALE 2:1

REEL PACKAGING
 DEREELING DIRECTION AND CONNECTOR POSITION
 2500 CONNECTORS PER REEL FOR ALL PARTNUMBERS

2	FEMALE HOUSING	G.F.POLYESTER PBT	RED
1	FEMALE CONTACT	PHOSPHOR BRONZE	TIN OVER NICKEL
ITEM NO.	DESCRIPTION	MATERIAL	FINISH / COLOR

DIMENSIONS: mm		TOLERANCES UNLESS OTHERWISE SPECIFIED:		DWN M. GOSSELINK			
		0 PLC ±- 1 PLC ±- 2 PLC ±- 3 PLC ±- 4 PLC ±- ANGLES ±-		CHK -			
MATERIAL SEE TABLE		FINISH SEE TABLE		APVD -		CONNECTOR, FEMALE-ON-BOARD TOP-ENTRY, THRU-HOLE, WITH LATCHES, Micro-MaTch	
SEE TABLE		SEE TABLE		PRODUCT SPEC 108-19052		SIZE A3	
SEE TABLE		SEE TABLE		APPLICATION SPEC -		CAGE CODE 00779	
SEE TABLE		SEE TABLE		WEIGHT -		DRAWING NO C=338068	
SEE TABLE		SEE TABLE		CUSTOMER DRAWING		RESTRICTED TO -	
SEE TABLE		SEE TABLE		SCALE 5:1		SHEET OF REV E1	